

# DualClean™ Softwall Strip Cleaner Frame

Easy and quick system for cleaning both sides of softwall strip curtains

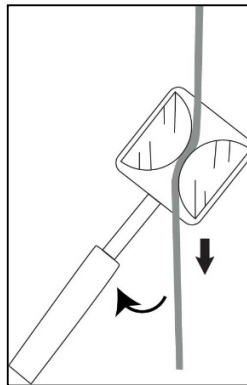
## Description

The DualClean Softwall Strip Cleaner is a unique system that enables one operator to easily and quickly clean both sides of 4"-12" plastic strip curtains in a single pass. The system consists of a fabric wiping cover that is snugly installed over a stainless steel frame with two curved-surface arms. Each curtain strip to be cleaned is positioned between the two arms of the frame, with the arms contacting both sides of the curtain at once. With slight tension maintained on the curtain strip, DualClean is moved down the length of the strip, easily and uniformly cleaning both sides of the entire length of the strip.

Several Covers are available for the DualClean. See literature for part numbers.

Using Contec's QuickConnect system, the DualClean frame may be attached to a wide variety of handles. The electropolished frame is resistant to most chemicals and disinfectants, and may be sterilized by common methods including gamma irradiation, ethylene oxide, or autoclave. The recommended autoclave cycle is 121°C for 30 minutes.

Technical Information		
Part No.	Description	Material/size (in/cm)
2778	DualClean Softwall Strip Cleaner frame	Stainless steel, Type 304
	Dimensions	IN 14.5" x 2" x 6.8" CM 36.5 x 5 x 17



DualClean Softwall Strip Cleaner and curtain strip path

## Notes:

- 1) Data shown are typical values and should not be used as product specifications.
- 2) Valid product comparisons may only be obtained through side-by-side testing in the same test facility, under similar conditions.
- 3) Current and/or comparison data may be available. Please contact a Contec sales representative for details

Revision date: 07/21/16



Copyright © 2016 Contec, Inc. All rights reserved.

**North America**  
P.O. Box 530  
Spartanburg, SC 29304 USA  
Phone: +1-864-503-8333  
www.contecinc.com

**Europe**  
Zi du Prat – RP 3707  
56037 VANNES Cedex  
FRANCE  
+33 297 437 690

**China**  
No.17 Longyun Road  
Suzhou 215024  
CHINA  
+ 86-512-6274 4050



# 2746 & 2746S QuickConnect™ Mop Handles

Fiberglass telescoping antimicrobial handles for all QuickConnect mop head frames

### Description

The chemically resistant 2746/ 2746S QuickConnect telescoping mop handle with locking collar that is lightweight and adjustable for maximum reach. Fiberglass tubes with silver oxide incorporated into the resin provides antimicrobial properties that inhibits biologic growth. The tubes are non-detachable, ensuring that they will not come apart. Fully autoclavable (recommended cycle of 121° C for 30 mins) QuickConnect handle for use with all Contec QuickConnect mop head frames.

2746 & 2746S

Technical Information		
<b>Materials of Construction</b>		
Handle; inner and outer tubes	Fiberglass/resin, pultruded	
Handle color	White	
Locking collar and grip	Polypropylene copolymer	
Collar and grip color	Blue	
Tip	304 grade stainless steel	
<b>Dimensions length</b>		
	<b>2746</b>	<b>2746S</b>
Overall, collapsed	71" / 180cm	40" / 101.6cm
Overall, extended	130" / 330cm	70" / 177.8cm
Diameter, outside, outer tube	0.93" / 2.35cm	
Diameter, outside, inner tube	1.06" / 2.70cm	
<b>Additional information</b>		
	Autoclavable @ 121° C for 30 minutes	
	Accepts all Contec QuickConnect mop head frames	



Tip



Locking collar



Grip

Notes:

- 1) Data shown are typical values and should not be used as product specifications.
- 2) The information presented here is applicable to the part numbers shown above, as well as to any product containing the same materials and produced under the same conditions, regardless of product size or packaging configuration. Please contact a Contec sales representative for more details.

Revision date: 06/01/16

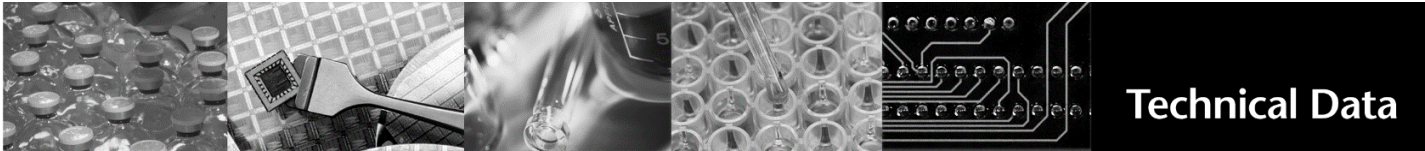


Copyright © 2015 Contec, Inc. All rights reserved.

**North America**  
P.O. Box 530  
Spartanburg, SC 29304 USA  
Phone: +1-864-503-8333  
www.contecinc.com

**Europe**  
ZI du Prat – RP 3707  
56037 VANNES Cedex  
FRANCE  
+33 297 437 690

**China**  
No.17 Longyun Road  
Suzhou 215024  
CHINA  
+ 86-512-6274 4050



# DualClean™ Cover, Quiltec®

Sealed edge polyester cover for use with DualClean Softwall Strip Cleaner Frame

## Description

The DualClean Softwall Strip Cleaner is a unique system that enables one operator to easily and quickly clean both sides of 4"-12" (10 - 30cm) plastic strip curtains in a single pass. The system consists of a cover that is installed over a stainless steel frame with two curved-surface arms.

Made of 2-ply knitted polyester, the DualClean Quiltec Cover is compatible with a wide variety of solvents and disinfectants and is ideally suited to more critical cleanroom environments.

The DualClean Quiltec Cover is cleanroom laundered and is recommended for use in ISO Class 4-6, grade A/B areas.

For Best performance, use saturated with suitable solvent or disinfectant.

## Technical Data

Wipe material 100% Knitted polyester  
 Wipe construction 2-layer, ultrasonically bonded, interlock knit

Attribute; (units)	Value	Test Method
Basis weight; nominal (g/cover)	31	Contec Method
Sorbency in water Extrinsic; (mL/cover)	92.5	IEST-RP-CC004.3, Sec. 8.1
Non-volatile residue, NVR In deionized water; (g/m <sup>2</sup> ) In isopropanol; (g/m <sup>2</sup> )	0.0002 0.0018	IEST-RP-CC004.3, Sec. 7.1.2
Size Length Width	26" / 66cm 2.75" / 7cm	IEST-RP-CC004.2, Sec. 5.1

Part Number	Description	EA/OB1	OB1/CS	EA/CS
DCQT0001	DualClean Cover, Quiltec knit polyester	8	10	80

Part Number	Description	EA/OB1	OB1/OB2	OB2/OB3	OB3/CS	EA/CS
DCQT0002	DualClean Cover, Quiltec knit polyester, sterile, triple-bagged	4	1	1	20	80

Key: EA = Each, OB1 = Outer Bag 1, OB2 = Outer Bag 2, OB3 = Outer Bag 3, CS = Case

Notes:

- 1) The information presented here is applicable to the part numbers shown above as well as to any product containing the same materials and produced under the same conditions, regardless of product size or packaging configuration. Please contact a Contec sales representative for more details.
- 2) Data shown are typical values and should not be used as product specifications.
- 3) Valid product comparisons may only be obtained through side-by-side testing in the same test facility, under similar conditions.
- 4) Current and/or comparison data may be available. Please contact a Contec sales representative for details.

Revision date: 10/15/15

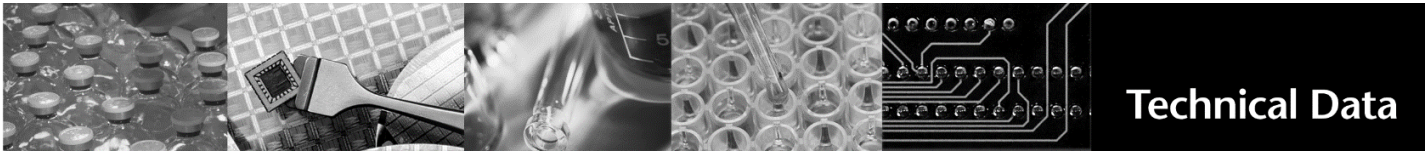


Copyright © 2015 Contec, Inc. All rights reserved.

**North America**  
 P.O. Box 530  
 Spartanburg, SC 29304 USA  
 Phone: +1-864-503-8333  
 www.contecinc.com

**Europe**  
 ZI du Prat – RP 3707  
 56037 VANNES Cedex  
 FRANCE  
 +33 297 437 690

**China**  
 No.17 Longyun Road  
 Suzhou 215024  
 CHINA  
 + 86-512-6274 4050



# DualClean™ Cover, Microfiber

Terry style microfiber cover for DualClean Softwall Strip Cleaner Frame

## Description

The DualClean Softwall Strip Cleaner is a unique system that enables one operator to easily and quickly clean both sides of 4"-12" (10-30cm) plastic strip curtains in a single pass. The system consists of a fabric cover that is installed over a stainless steel frame with two curved-surface arms.

Made of polyester microfiber, DualClean Softwall Strip Cleaner microfiber cover traps and removes dust and other visible contaminants. Compatible with a wide variety of solvents and is ideal for less critical environments.

The DualClean Microfiber Cover is cleanroom laundered and is recommended for use in ISO Class 6-8, grade C/D areas.

For Best performance, use saturated with suitable solvent or disinfectant.

## Technical Data

Wipe material	Polyester microfiber	
Wipe construction	Microfiber polish cloth	
Attribute; (units)	Value **	Test Method
Basis weight; nominal (g/cover)	29	Contec Method
Sorbency in water		
Extrinsic; (mL/cover)	250	IEST-RP-CC004.3, Sec. 8.1
Non-volatile residue, NVR		IEST-RP-CC004.3, Sec. 7.1.2
In deionized water; (g/m <sup>2</sup> )	0.051	
In isopropanol; (g/m <sup>2</sup> )	0.059	
Size		IEST-RP-CC004.2, Sec. 5.1
Length	26.3" / 67cm	
Width	2.77" / 7cm	

Part Number	Description	EA/OB	OB/CS	EA/CS
DCMD0001	DualClean Cover, Microfiber, 26.3" x 2.77" (67 x 7cm)	8	10	80

Key: EA = Each, OB = Outer Bag, CS = Case

### Notes:

- 1) The information presented here is applicable to the part numbers shown above as well as to any product containing the same materials and produced under the same conditions, regardless of product size or packaging configuration. Please contact a Contec sales representative for more details.
- 2) Data shown are typical values and should not be used as product specifications.
- 3) Valid product comparisons may only be obtained through side-by-side testing in the same test facility, under similar conditions.
- 4) Current and/or comparison data may be available. Please contact a Contec sales representative for details.

Revision date: 10/15/15



Copyright © 2015 Contec, Inc. All rights reserved.

**North America**  
P.O. Box 530  
Spartanburg, SC 29304 USA  
Phone: +1-864-503-8333  
www.contecinc.com

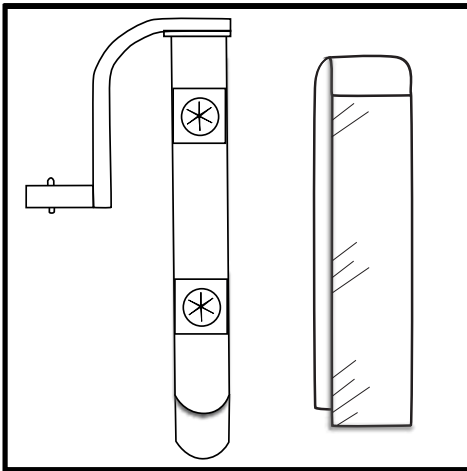
**Europe**  
Zi du Prat – RP 3707  
56037 VANNES Cedex  
FRANCE  
+33 297 437 690

**China**  
No.17 Longyun Road  
Suzhou 215024  
CHINA  
+ 86-512-6274 4050

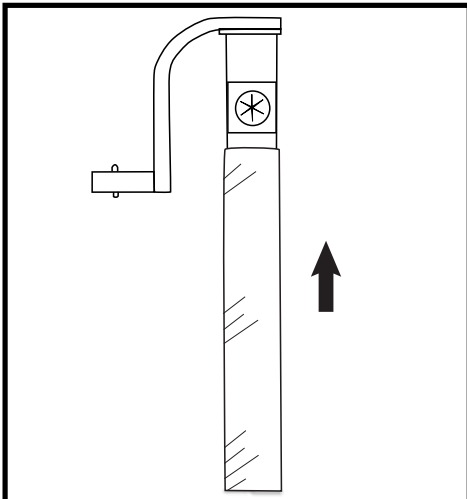
# Contec® DualClean™ Softwall Strip Cleaner User's Guide

Instructions for installing a cover on the Contec® DualClean™ Softwall Strip Cleaner (2778)

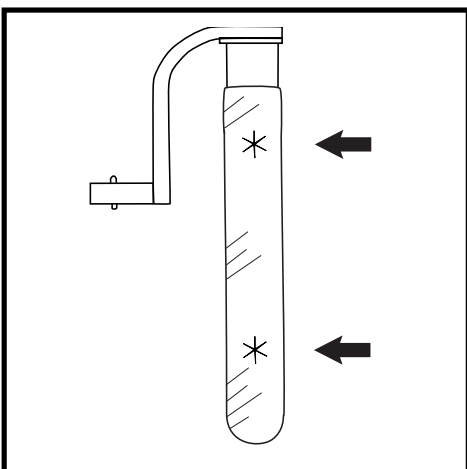
Page 1



Step 1 & 2/ Fold cover with opening facing out.



Step 3/ Slip cover over DualClean frame and pull up.



Step 4/ Press cover fabric into the keepers of the DualClean frame.

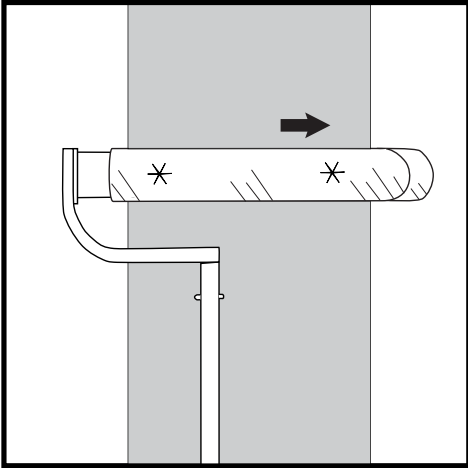
## DualClean Cover Installation on the Contec DualClean Softwall Strip Cleaner

1. Fold DualClean cover in half with opening facing out.
2. Hold DualClean frame vertically with open end of frame facing downward and the long end in the back as shown.
3. Slip cover openings over each end of DualClean frame and continue pulling up until the cover reaches the end.
4. Hold the cover and the DualClean frame with one hand, keeping the cover fully installed. Use other hand to press the fabric of the cover into the keepers, making it tight on the frame.
5. Install DualClean head frame on the QuickConnect™ Handle of your choice. The Contec DualClean Softwall Strip Cleaner is now ready to use.

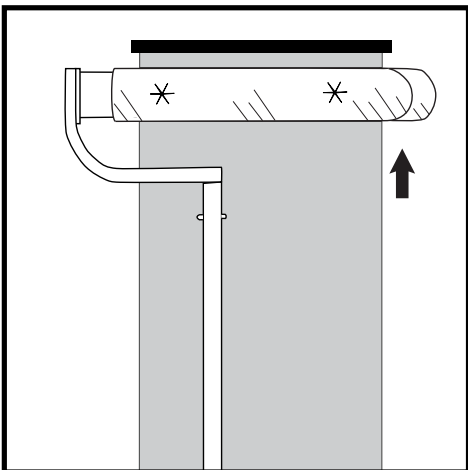
# Contec® DualClean™ Softwall Strip Cleaner User Guide

Instructions for using Contec DualClean Softwall Strip Cleaner (2778)

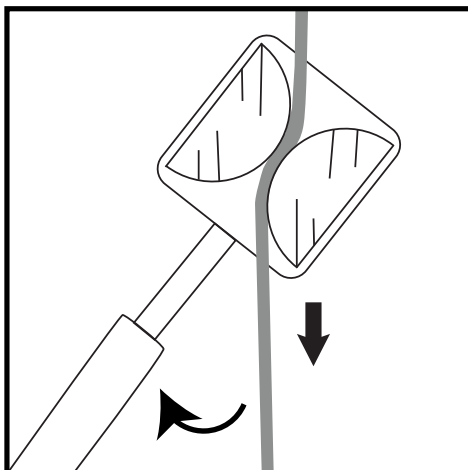
Page 2



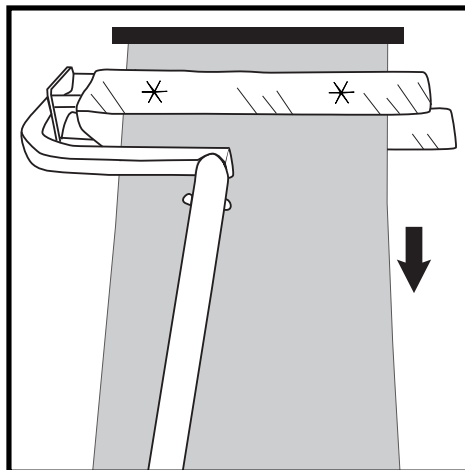
Step 1/Slide softwall between DualClean frame.



Step 2/ Slide DualClean frame to the highest point on the softwall



Step 3 & 4/ Sideview



Step 3 & 4/ Move handle away from the softwall to create tension. Pull down to clean.

## Instructions for use: (See page 1 for cover installation)

1. Slide Contec DualClean Softwall Strip Cleaner onto curtain strip so it is between the arms of the frame.
2. Slide DualClean to the highest point on the curtain strip.
3. Pivot the handle away from the curtain strip at an angle as shown in Step 3. This will create tension on the curtain strip from the DualClean frame.  
*Note: To adjust tension, simply increase or decrease the angle of the handle relative to the strip, while keeping both arms of the tool in contact with the strip being cleaned.*
4. Keeping the handle angled away from the curtain strip to maintain tension on the strip, slide DualClean smoothly and evenly down the entire length of the curtain strip.
5. Repeat the process for each strip of the softwall curtain strip. Replace contaminated covers as needed.

 **CONTEC**

ph: +1-864-503-8333  
www.contecinc.com